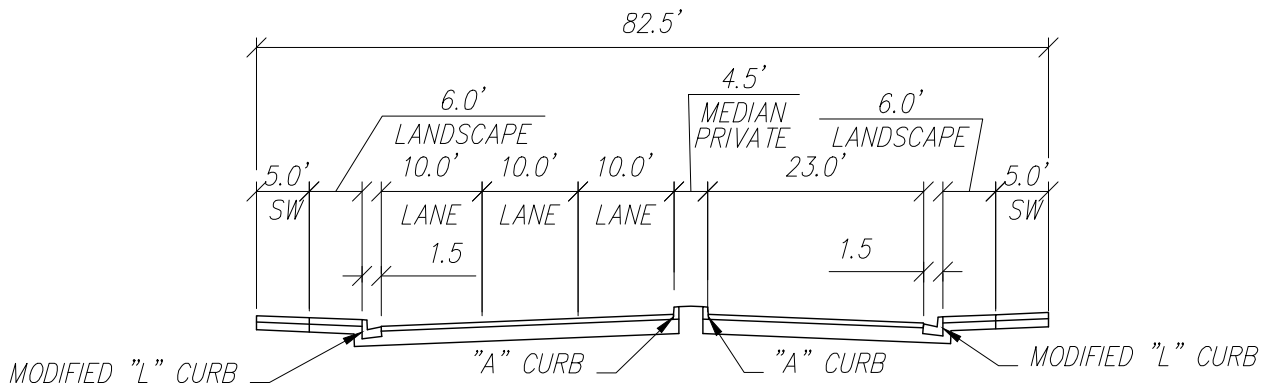


SECTION D-D: PRIVATE RAMPART ENTRANCE  
NO SCALE



SECTION E-E: PRIVATE RAMPART ENTRANCE  
NO SCALE

